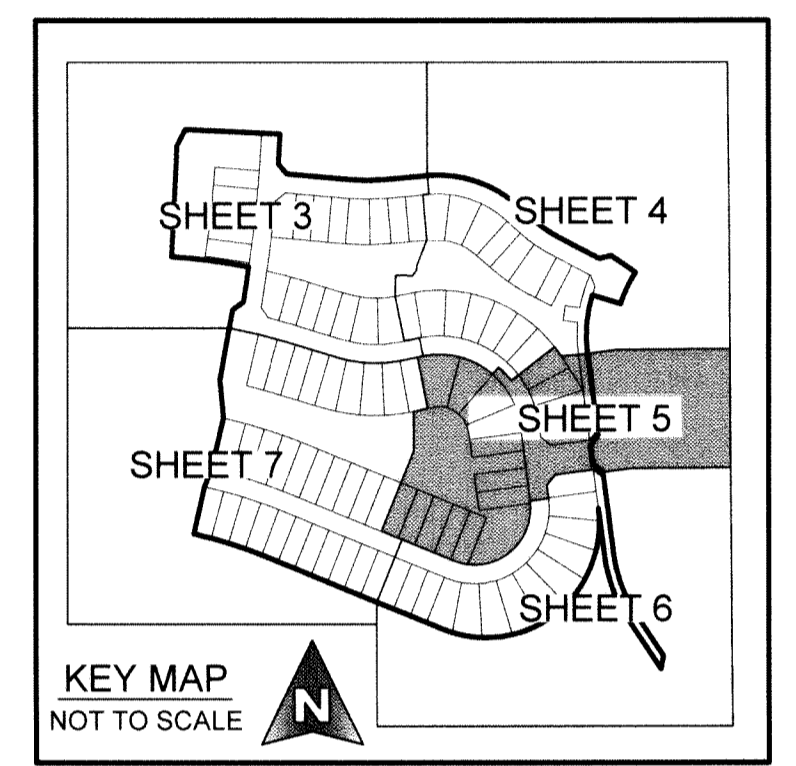
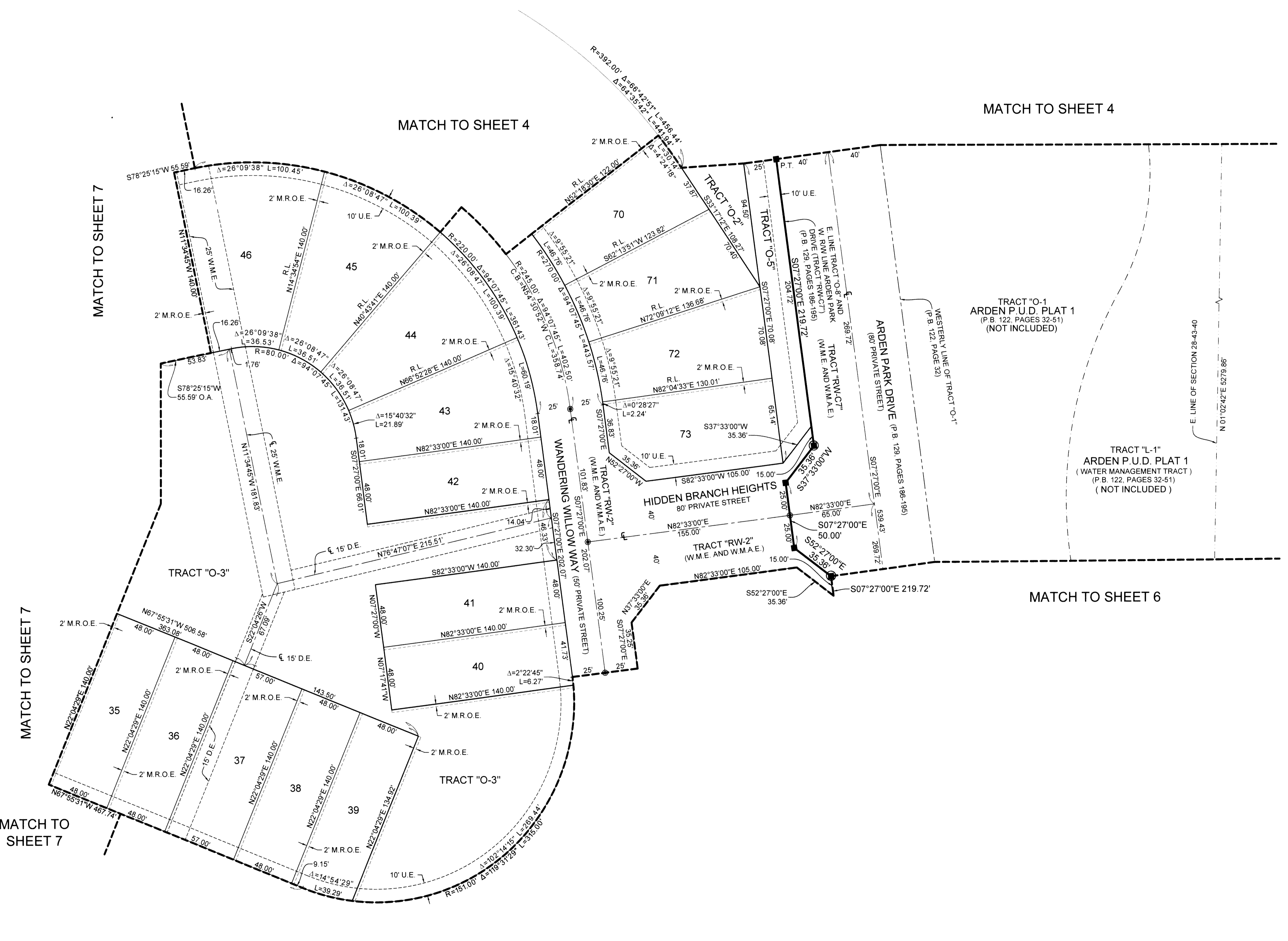


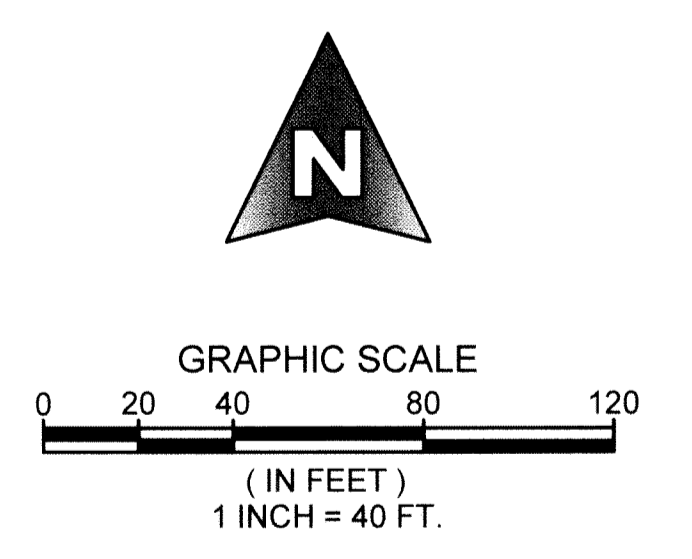
ARDEN P.U.D. POD D SOUTHEAST

BEING A REPLAT OF A PORTION OF TRACT "FD", ARDEN P.U.D. PLAT 1, AS RECORDED IN PLAT BOOK 122, PAGES 32 THROUGH 51, PUBLIC RECORDS OF PALM BEACH COUNTY, FLORIDA, AND ALL OF TRACT "O-7" AND TRACT "O-8", ARDEN P.U.D. POD C NORTH, AS RECORDED IN PLAT BOOK 129, PAGES 186 THROUGH 195, INCLUSIVE, PUBLIC RECORDS OF PALM BEACH COUNTY, FLORIDA AND LYING IN SECTION 28, TOWNSHIP 43 SOUTH, RANGE 40 EAST, PALM BEACH COUNTY, FLORIDA.

126



COORDINATE NOTE:
 STATE PLANE COORDINATES SHOWN ARE GRID DATUM, NAD 83 1990 ADJUSTMENT, FLORIDA EAST ZONE, COORDINATE SYSTEM 1983 STATE PLANE, TRANSVERSE MERCATOR PROJECTION
 LINEAR UNIT = US SURVEY FEET
 ALL DISTANCES ARE GROUND
 SCALE FACTOR = 0.99999219
 GROUND DISTANCE X SCALE FACTOR = GRID DISTANCE
 BEARINGS AS SHOWN HEREON ARE GRID DATUM, NAD 83 1990 ADJUSTMENT, FLORIDA EAST ZONE.



PREPARING SURVEYOR & MAPPER'S STATEMENT

THIS INSTRUMENT WAS PREPARED BY LESLIE C. BISPOTT, P.S.M. OF MICHAEL B. SCHORAH AND ASSOCIATES, INC., 1850 FOREST HILL BOULEVARD, SUITE 206, WEST PALM BEACH, FLORIDA, 33406.

SHEET 5 OF 7



MICHAEL B. SCHORAH & ASSOCIATES, INC.
 1850 FOREST HILL BLVD., SUITE 206
 WEST PALM BEACH, FLORIDA 33406
 EB# 2438 TEL. (561) 968-0080 FAX. (561) 642-9726 LB# 2438

ARDEN P.U.D. POD D SOUTHEAST